

# VECTOR PROCESSOR UNIT

## TABLE OF CONTENTS

PAGE	DESCRIPTION	PAGE	DESCRIPTION
UPU. 1	TABLE OF CONTENTS, REVISION HISTORY	PARGEN. 1	PARITY GENERATION LOGIC
UPU. 2	TOP LEVEL BODY INTERCONNECTIONS	ALLFU. 1	ADD AND LOGIC FUNCTION UNITS
UPU. 3	CLOCK GENERATION, MISCELLANEOUS CONTROL	FADFLAG. 1	FLOATING ADD LOGIC
UPU. 4	SCAN INTERFACE	MDFU. 1	MULTIPLY AND DIVIDE FUNCTION UNITS
UPU. 5	CONNECTOR TRANSLATOR FOR UPU0		
UPU. 6	CONNECTOR TRANSLATOR FOR UPU1		
UPU. 7	UPU0 CONNECTOR P1		
UPU. 8	UPU0 CONNECTOR P2		
UPU. 9	UPU0 CONNECTOR P3		
UPU. 10	UPU0 CONNECTOR P4		
UPU. 11	UPU0 CONNECTOR P5		
UPU. 12	UPU1 CONNECTOR P1		
UPU. 13	UPU1 CONNECTOR P2		
UPU. 14	UPU1 CONNECTOR P3		
UPU. 15	UPU1 CONNECTOR P4		
UPU. 16	UPU1 CONNECTOR P5		
UPU. 17	MISCELLANEOUS SPARE GATES AND RESISTORS		
UREG. 1	VECTOR REGISTER BANK		
STAGE. 1	STAGE REGISTER CHAIN		
PARCK. 1	PARITY CHECK LOGIC		

## REVISION HISTORY

REVISION	DATE	COMMENTS AND SCHEMATICS AFFECTED
C. 08	9-24-84	ALL PAGES, ORIGINAL RELEASE
<del>E. 1</del> D. 3	1-15-85	UPU. 1, 2, 3, 4, 10, 15, 17 MDFU. 1 UREG. 1 ALLFU. 1 STAGE. 1

THIS DOCUMENT CONTAINS INFORMATION PROPRIETARY TO CONVEX COMPUTER CORPORATION (CONVEX). USE OR DISCLOSURE WITHOUT THE WRITTEN PERMISSION OF AN OFFICER OF CONVEX IS EXPRESSLY FORBIDDEN. COPYRIGHT (C) CONVEX 1984

DEFINE  
K4P18A10  
K4S1CP4012C



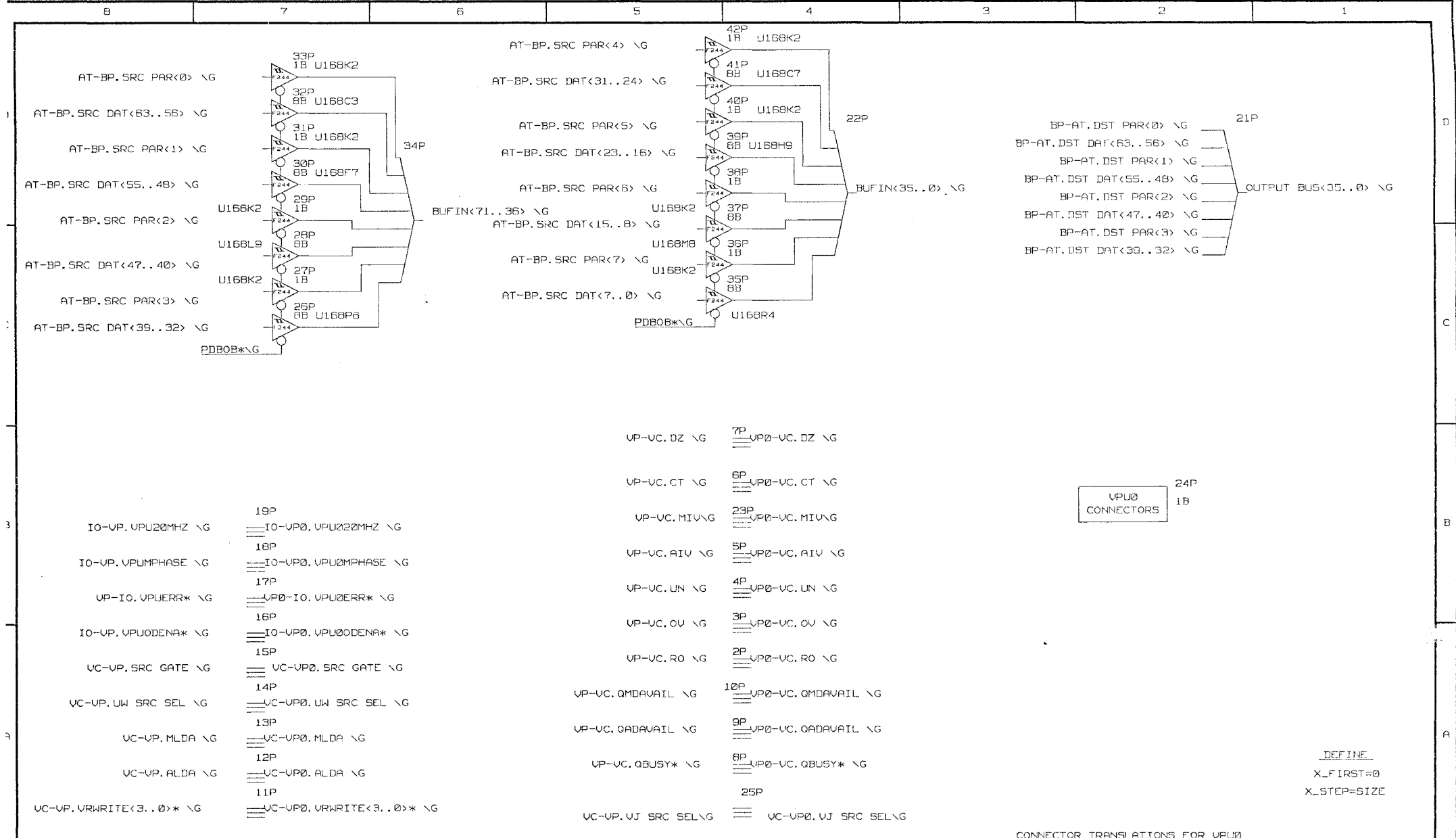
CONVEX

TITLE:	UPU	0.3	ABBR:	UPU
DRAWING:	410-000127-300	REV. 0.3	ENGR:	GRUGER
REVISED:	Thu Jan 24 15:56:41 1985	PAGE:	UPU. 1	
	3		2	1









THIS DOCUMENT CONTAINS INFORMATION PROPRIETARY TO CONVEX COMPUTER CORPORATION (CONVEX). USE OR DISCLOSURE WITHOUT THE WRITTEN PERMISSION OF AN OFFICER OF CONVEX IS EXPRESSLY FORBIDDEN. COPYRIGHT (C) CONVEX 1984



TITLE:	TRAN0	ABBR:	TRAN0
DRAWING:	410-000127-300 REV C.8	ENGR:	GRUGER
REVISED:	Tue Sep 25 10:22:36 1984	PAGE:	UPU.5

CONNECTOR TRANSLATIONS FOR VPU0

DEFINE  
X\_LFIRST=0  
X\_STEP=SIZE

D

C

B

A

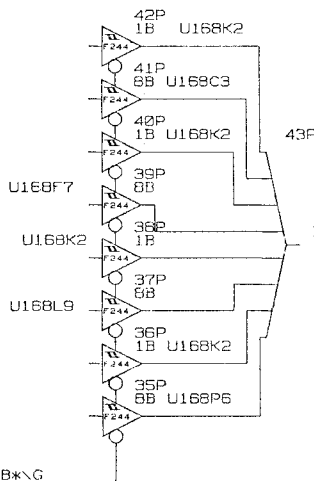
D

C

B

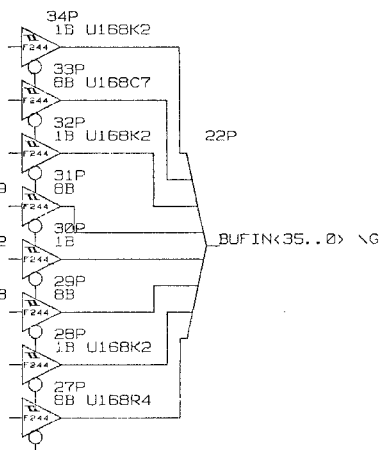
A

AT-BP.SRC PAR<0> \G  
 AT-BP.SRC DAT<63..56> \G  
 AT-BP.SRC PAR<1> \G  
 AT-BP.SRC DAT<55..48> \G  
 AT-BP.SRC PAR<2> \G  
 AT-BP.SRC DAT<47..40> \G  
 AT-BP.SRC PAR<3> \G  
 AT-BP.SRC DAT<39..32> \G



AT-BP.SRC PAR<4> \G  
 AT-BP.SRC DAT<31..24> \G  
 AT-BP.SRC PAR<5> \G  
 AT-BP.SRC DAT<23..16> \G  
 AT-BP.SRC PAR<6> \G  
 AT-BP.SRC DAT<15..8> \G  
 AT-BP.SRC PAR<7> \G  
 AT-BP.SRC DAT<7..0> \G

PDB0B\*\G



BP-AT.DST PAR<4> \G  
 BP-AT.DST DAT<31..24> \G  
 BP-AT.DST PAR<5> \G  
 BP-AT.DST DAT<23..16> \G  
 BP-AT.DST PAR<6> \G  
 BP-AT.DST DAT<15..8> \G  
 BP-AT.DST PAR<7> \G  
 BP-AT.DST DAT<7..0> \G

OUTPUT BUS<35..0> \G

VC-UP.MSCALAR\* \G 45P VC-UP1.MSCALAR\* \G  
 VC-UP.ASCALAR\* \G 44P VC-UP1.ASCALAR\* \G

UP-UC.DZ \G 7P UP1-UC.DZ \G  
 UP-UC.CT \G 6P UP1-UC.CT \G

UP-UC.AIU \G 24P UP1-UC.AIU \G

UP-UC.MIU \G 5P UP1-UC.MIU \G

UP-UC.UN \G 4P UP1-UC.UN \G

UP-UC.OV \G 3P UP1-UC.OV \G

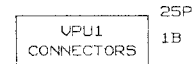
UP-UC.R0 \G 2P UP1-UC.R0 \G

UP-UC.QMDAVAIL \G 10P UP1-UC.QMDAVAIL \G

UP-UC.QADAVAIL \G 9P UP1-UC.QADAVAIL \G

UP-UC.QBUSY\* \G 8P UP1-UC.QBUSY\* \G

UP-UC.VJ SRC SEL \G 25P UP1-UC.VJ SRC SEL \G



IO-UP.VPU20MHZ \G 19P IO-UP1.VPU120MHZ \G  
 IO-UP.VPUMPHASE \G 18P IO-UP1.VPU1MPHASE \G  
 UP-IO.VPUERR\* \G 17P UP1-IO.VPU1ERR\* \G  
 IO-UP.VPUODENA\* \G 16P IO-UP1.VPU1ODENA\* \G  
 VC-UP.SRC GATE \G 15P VC-UP1.SRC GATE \G  
 VC-UP.UW SRC SEL \G 14P VC-UP1.UW SRC SEL \G  
 VC-UP.MLDA \G 13P VC-UP1.MLDA \G  
 VC-UP.ALDA \G 12P VC-UP1.ALDA \G  
 VC-UP.VRWRITE<3..0>\* \G 11P VC-UP1.VRWRITE<3..0>\* \G

DEFINE  
 X\_FIRST=0  
 X\_STEP=SIZE

CONNECTOR TRANSLATIONS FOR VPU1

THIS DOCUMENT CONTAINS INFORMATION PROPRIETARY TO CONVEX COMPUTER CORPORATION (CONVEX). USE OR DISCLOSURE WITHOUT THE WRITTEN PERMISSION OF AN OFFICER OF CONVEX IS EXPRESSLY FORBIDDEN. COPYRIGHT (C) CONVEX 1984



TITLE: TRAN1  
 DRAWING: 410-000127-300 REV C.8  
 ASBR: TRAN1  
 ENGR: GRUGER  
 REVISED: Tue Sep 25 10:24:41 1984  
 PAGE: VPU.6

8

7

6

5

4

3

2

1

1P  
300-41612-396  
U18803

A	
01	CONUCC \G
02	CONUCC \G
03	CONUCC \G
04	CONGND \G
05	CONGND \G
06	CONGND \G
07	UC-UP. VRA0<7> \G
08	UC-UP. VRA0<4> \G
09	CONGND \G
10	UC-UP. VRA1<7> \G
11	UC-UP. VRA1<4> \G
12	UC-UP. VRA1<1> \G
13	UC-UP. OBEN<0>* \G
14	UC-UP. OBEN<1>* \G
15	NC
16	NC
17	CONGND \G
18	AT-BP. SRC DAT<26>\G
19	AT-BP. SRC DAT<29>\G
20	AT-BP. SRC PAR<4>\G
21	BP-AT. DST DAT<58>\G
22	BP-AT. DST DAT<60>\G
23	BP-AT. DST DAT<63>\G
24	AT-BP. SRC DAT<57>\G
25	CONGND \G
26	AT-BP. SRC DAT<62>\G
27	CONGND \G
28	CONGND \G
29	CONGND \G
30	CONUCC \G
31	CONUCC \G
32	CONUCC \G

B	
01	CONUCC \G
02	CONUCC \G
03	CONUCC \G
04	CONGND \G
05	CONGND \G
06	CONGND \G
07	UC-UP. VRA0<6> \G
08	UC-UP. VRA0<3> \G
09	UC-UP. VRA0<1> \G
10	UC-UP. VRA1<6> \G
11	UC-UP. VRA1<3> \G
12	UC-UP. VRA1<0> \G
13	NC
14	NC
15	NC
16	NC
17	AT-BP. SRC DAT<24>\G
18	AT-BP. SRC DAT<27>\G
19	AT-BP. SRC DAT<30>\G
20	BP-AT. DST DAT<56>\G
21	BP-AT. DST DAT<59>\G
22	BP-AT. DST DAT<61>\G
23	BP-AT. DST PAR<0>\G
24	AT-BP. SRC DAT<58>\G
25	AT-BP. SRC DAT<60>\G
26	AT-BP. SRC DAT<63>\G
27	CONGND \G
28	CONGND \G
29	CONGND \G
30	CONUCC \G
31	CONUCC \G
32	CONUCC \G

C	
01	CONUCC \G
02	CONUCC \G
03	CONUCC \G
04	CONGND \G
05	CONGND \G
06	CONGND \G
07	UC-UP. VRA0<5> \G
08	UC-UP. VRA0<2> \G
09	UC-UP. VRA0<0> \G
10	UC-UP. VRA1<5> \G
11	UC-UP. VRA1<2> \G
12	UC-UP. QOBMS \G
13	CONGND \G
14	NC
15	NC
16	NC
17	AT-BP. SRC DAT<25>\G
18	AT-BP. SRC DAT<28>\G
19	AT-BP. SRC DAT<31>\G
20	BP-AT. DST DAT<57>\G
21	CONGND \G
22	BP-AT. DST DAT<62>\G
23	AT-BP. SRC DAT<56>\G
24	AT-BP. SRC DAT<59>\G
25	AT-BP. SRC DAT<61>\G
26	AT-BP. SRC PAR<0>\G
27	CONGND \G
28	CONGND \G
29	CONGND \G
30	CONUCC \G
31	CONUCC \G
32	CONUCC \G

DEFINE  
X\_FIRST=0  
X\_STEP=SIZE

UPL00 CONNECTOR P1

THIS DOCUMENT CONTAINS INFORMATION PROPRIETARY TO CONVEX COMPUTER CORPORATION (CONVEX). USE OR DISCLOSURE WITHOUT THE WRITTEN PERMISSION OF AN OFFICER OF CONVEX IS EXPRESSLY FORBIDDEN. COPYRIGHT (C) CONVEX 1984



CONVEX

TITLE: UPL00CON  
DRAWING: 410-000127-300 REV C.8

ABBR: UPL00CONS  
ENGR: CRUGER

REVISED: Tue Sep 25 10:33:40 1984 PAGE: UPL. 7

8

7

6

3

2

1

1P  
300-41612-396  
U188N7

A	
01	CONGND \G
02	AT-BP.SRC DAT<10>\G
03	AT-BP.SRC DAT<13>\G
04	AT-BP.SRC PAR<6>\G
05	BP-AT.DST DAT<42>\G
06	BP-AT.DST DAT<44>\G
07	BP-AT.DST DAT<47>\G
08	AT-BP.SRC DAT<41>\G
09	CONGND \G
10	AT-BP.SRC DAT<46>\G
11	NC
12	NC
13	NC
14	NC
15	VC-UP.VDESTS1<1> \G
16	VC-UP.VDESTS2<0> \G
17	CONGND \G
18	VC-UP.HALF SEL<1> \G
19	VC-UP.WORD SEL<2> \G
20	VC-UP.ISRC<1> \G
21	VC-UP.VSRCS1<0> \G
22	VC-UP.VSRCS2<0> \G
23	VC-UP.VSRCS4<1> \G
24	VC-UP.MSIS<1> \G
25	CONGND \G
26	VC-UP.MOPC<6> \G
27	VC-UP.MOPC<3> \G
28	VC-UP.MOPC<0> \G
29	VC-UP.AOPC<8> \G
30	VC-UP.AOPC<6> \G
31	VC-UP.AOPC<3> \G
32	VC-UP.AOPC<0> \G

B	
01	AT-BP.SRC DAT<8>\G
02	AT-BP.SRC DAT<11>\G
03	AT-BP.SRC DAT<14>\G
04	BP-AT.DST DAT<40>\G
05	BP-AT.DST DAT<43>\G
06	BP-AT.DST DAT<45>\G
07	BP-AT.DST PAR<2>\G
08	AT-BP.SRC DAT<42>\G
09	AT-BP.SRC DAT<44>\G
10	AT-BP.SRC DAT<47>\G
11	NC
12	NC
13	NC
14	VC-UP.VDESTS0<1> \G
15	VC-UP.VDESTS1<0> \G
16	VC-UP.VDESTS3<1> \G
17	VC-UP.HALF SEL<3> \G
18	VC-UP.HALF SEL<0> \G
19	VC-UP.WORD SEL<1> \G
20	VC-UP.ISRC<0> \G
21	VC-UP.VSRCS2<1> \G
22	VC-UP.VSRCS3<1> \G
23	VC-UP.VSRCS4<0> \G
24	VC-UP.MSIS<0> \G
25	VC-UP.ASIS<1> \G
26	VC-UP.MOPC<5> \G
27	VC-UP.MOPC<2> \G
28	VC-UP.AOPC<10> \G
29	VC-UP.AOPC<7> \G
30	VC-UP.AOPC<5> \G
31	VC-UP.AOPC<2> \G
32	VC-UP.MLDOP \G

C	
01	AT-BP.SRC DAT<9>\G
02	AT-BP.SRC DAT<12>\G
03	AT-BP.SRC DAT<15>\G
04	BP-AT.DST DAT<41>\G
05	CONGND \G
06	BP-AT.DST DAT<46>\G
07	AT-BP.SRC DAT<40>\G
08	AT-BP.SRC DAT<43>\G
09	AT-BP.SRC DAT<45>\G
10	AT-BP.SRC PAR<2>\G
11	NC
12	NC
13	CONGND \G
14	VC-UP.VDESTS0<0> \G
15	VC-UP.VDESTS2<1> \G
16	VC-UP.VDESTS3<0> \G
17	VC-UP.HALF SEL<2> \G
18	VC-UP.WORD SEL<3> \G
19	VC-UP.WORD SEL<0> \G
20	VC-UP.VSRCS1<1> \G
21	CONGND \G
22	VC-UP.VSRCS3<0> \G
23	VC-UP.MSIS<2> \G
24	VC-UP.ASIS<2> \G
25	VC-UP.ASIS<0> \G
26	VC-UP.MOPC<4> \G
27	VC-UP.MOPC<1> \G
28	VC-UP.AOPC<9> \G
29	CONGND \G
30	VC-UP.AOPC<4> \G
31	VC-UP.AOPC<1> \G
32	VC-UP.ALDOP \G

UPU0 CONNECTOR P3

THIS DOCUMENT CONTAINS INFORMATION PROPRIETARY TO CONVEX COMPUTER CORPORATION (CONVEX). USE OR DISCLOSURE WITHOUT THE WRITTEN PERMISSION OF AN OFFICER OF CONVEX IS EXPRESSLY FORBIDDEN. COPYRIGHT (C) CONVEX 1984



TITLE: UPU0CON	ABBR: UPU0CONS
DRAWING: 410-000127-300 REV C.8	ENGR: GRUGER
REVISED: Tue Sep 25 10:36:50 1984	PAGE: UPU.9

1P  
300-41612-396  
U188T6

A  
01 CONGND \G  
02 AT-BP.SRC DAT<2>\G  
03 AT-BP.SRC DAT<5>\G  
04 AT-BP.SRC PAR<7>\G  
05 BP-AT.DST DAT<34>\G  
06 BP-AT.DST DAT<36>\G  
07 BP-AT.DST DAT<39>\G  
08 AT-BP.SRC DAT<33>\G  
09 CONGND \G  
10 AT-BP.SRC DAT<38>\G  
11 UC-UP.MSRL<3> \G  
12 UC-UP.MSRL<0> \G  
13 UC-UP.ASRL<1> \G  
14 UC-UP.MSROE<1> \G  
15 UC-UP.ASROE<0> \G  
16 UC-UP.MWAIT\* \G  
17 CONGND \G  
18 NC  
19 NC  
20 NC  
21 NC  
22 NC  
23 NC  
24 NC  
25 CONGND \G  
26 NC  
27 NC  
28 UC-UP.JSRC<1>\G  
29 NC  
30 NC  
31 UC-UP.MSCALAR\* \G  
32 UC-UP0.VJ SRC SEL\G

B  
01 AT-BP.SRC DAT<0>\G  
02 AT-BP.SRC DAT<3>\G  
03 AT-BP.SRC DAT<5>\G  
04 BP-AT.DST DAT<32>\G  
05 BP-AT.DST DAT<35>\G  
06 BP-AT.DST DAT<37>\G  
07 BP-AT.DST PAR<3>\G  
08 AT-BP.SRC DAT<34>\G  
09 AT-BP.SRC DAT<36>\G  
10 AT-BP.SRC DAT<39>\G  
11 UC-UP.MSRL<2> \G  
12 UC-UP.ASRL<3> \G  
13 UC-UP.ASRL<0> \G  
14 UC-UP.MSROE<0> \G  
15 UC-UP.QSWAPM \G  
16 UC-UP.AWAIT\* \G  
17 NC  
18 NC  
19 NC  
20 NC  
21 UC-UP.ASRC SWAP \G  
22 NC  
23 NC  
24 NC  
25 NC  
26 NC  
27 UC-UP.MSRC SWAP\G  
28 UC-UP.JSRC<0>\G  
29 NC  
30 NC  
31 UC-UP.ASCALAR\* \G  
32 NC

C  
01 AT-BP.SRC DAT<1>\G  
02 AT-BP.SRC DAT<4>\G  
03 AT-BP.SRC DAT<7>\G  
04 BP-AT.DST DAT<33>\G  
05 CONGND \G  
06 BP-AT.DST DAT<38>\G  
07 AT-BP.SRC DAT<32>\G  
08 AT-BP.SRC DAT<35>\G  
09 AT-BP.SRC DAT<37>\G  
10 AT-BP.SRC PAR<3>\G  
11 UC-UP.MSRL<1> \G  
12 UC-UP.ASRL<2> \G  
13 CONGND \G  
14 UC-UP.ASROE<1> \G  
15 UC-UP.QSWAPA \G  
16 UC-UP.OUTI REG EN \G  
17 UC-UP.DST BUS HOLD\* \G  
18 UC-UP.STINH\G  
19 UC-UP.STAS REQ\G  
20 UC-UP.AUMP CLAIM\*\G  
21 CONGND \G  
22 NC  
23 NC  
24 NC  
25 NC  
26 NC  
27 NC  
28 UC-UP.OUTJ REG EN\G  
29 CONGND \G  
30 AT-UC.LD&ST ACK\*\G  
31 AT-UC.STAT ACK\*\G  
32 AT-UC.STMEM ACK\*\G

UPL0 CONNECTOR P4

THIS DOCUMENT CONTAINS INFORMATION PROPRIETARY TO CONVEX COMPUTER CORPORATION (CONVEX). USE OR DISCLOSURE WITHOUT THE WRITTEN PERMISSION OF AN OFFICER OF CONVEX IS EXPRESSLY FORBIDDEN. COPYRIGHT (C) CONVEX 1984



TITLE:	UPL0CON	ABBR:	UPL0CON
DRAWING:	410-000127-300 REV <del>0.2</del> 0.3	ENGR:	GRUGER
REVISED:	Thu Jan 24 16:05:04 1985	PAGE:	UPL 10

1P

300-41612-396  
U188Y5

A	01	CONUCC \G
	02	CONUCC \G
	03	CONUCC \G
	04	CONGND \G
	05	CONGND \G
	06	CONGND \G
	07	NC
	08	NC
	09	CONGND \G
	10	NC
	11	NC
	12	NC
	13	NC
	14	NC
	15	NC
	16	NC
	17	CONGND \G
	18	NC
	19	NC
	20	NC
	21	NC
	22	NC
	23	NC
	24	NC
	25	CONGND \G
	26	NC
	27	CONGND \G
	28	CONGND \G
	29	CONGND \G
	30	CONUCC \G
	31	CONUCC \G
	32	CONUCC \G

B	01	CONUCC \G
	02	CONUCC \G
	03	CONUCC \G
	04	CONGND \G
	05	CONGND \G
	06	CONGND \G
	07	IO-VP0.VPU020MHZ \G
	08	IO-VP0.VPU0MPHASE \G
	09	VC-VP.HLT DIS*\G
	10	VP0-IO.VPU0ERR*\G
	11	IO-VP0.VPU0ODENA*\G
	12	IO-BP.JPDMODE*\G
	13	IO-BP.JPSCCTL <0>*\G
	14	IO-BP.JPSCCTL <1>*\G
	15	IO-BP.JPLDRAM*\G
	16	IO-BP.JPCLEAR*\G
	17	IO-BP.JPMSBDOUT*\G
	18	IO-BP.JPLSBDOUT*\G
	19	BP-BP.JPHALT*\G
	20	NC
	21	VP0-VC.AIU\G
	22	VC-VP.MFU BYPASS\G
	23	VC-VP.AFU BYPASS\G
	24	VC-VP.MCTL HOLD\G
	25	VC-VP.ACTL HOLD\G
	26	VC-VP.SRC ACK\G
	27	CONGND \G
	28	CONGND \G
	29	CONGND \G
	30	CONUCC \G
	31	CONUCC \G
	32	CONUCC \G

C	01	CONUCC \G
	02	CONUCC \G
	03	CONUCC \G
	04	CONGND \G
	05	CONGND \G
	06	CONGND \G
	07	VC-VP0.SRC GATE \G
	08	VC-VP0.UW SRC SEL \G
	09	VC-VP0.MLDA \G
	10	VC-VP0.ALDA \G
	11	VC-VP0.URWRITE<3>*\G
	12	VC-VP0.URWRITE<2>*\G
	13	CONGND \G
	14	VC-VP0.URWRITE<1>*\G
	15	VC-VP0.URWRITE<0>*\G
	16	VP0-VC.DZ \G
	17	VP0-VC.CT \G
	18	VP0-VC.MIV \G
	19	VP0-VC.UN \G
	20	VP0-VC.OV \G
	21	CONGND \G
	22	VP0-VC.R0 \G
	23	VP0-VC.OMDAVAIL \G
	24	VP0-VC.QADAVAIL \G
	25	VP0-VC.QBUSY*\G
	26	NC
	27	CONGND \G
	28	CONGND \G
	29	CONGND \G
	30	CONUCC \G
	31	CONUCC \G
	32	CONUCC \G

VP00 CONNECTOR P5

THIS DOCUMENT CONTAINS INFORMATION PROPRIETARY TO CONVEX COMPUTER CORPORATION (CONVEX). USE OR DISCLOSURE WITHOUT THE WRITTEN PERMISSION OF AN OFFICER OF CONVEX IS EXPRESSLY FORBIDDEN. COPYRIGHT (C) CONVEX 1984



CONVEX

TITLE: VP00CON  
DRAWING: 410-000127-300 REV C.8

ABBR: VP00CON  
ENGR: GRUGER

REVISED: Fri Oct 5 13:29:59 1984

PAGE:

VP0.11

1P

300-41612-396  
U188J8

A	
01	CONGND \G
02	AT-BP. SRC DAT<18>\G
03	AT-BP. SRC DAT<21>\G
04	AT-BP. SRC PAR<5>\G
05	BP-AT. DST DAT<18>\G
06	BP-AT. DST DAT<20>\G
07	BP-AT. DST DAT<23>\G
08	AT-BP. SRC DAT<49>\G
09	CONGND \G
10	AT-BP. SRC DAT<54>\G
11	NC
12	NC
13	NC
14	NC
15	VC-UP. VRA2<5> \G
16	VC-UP. VRA2<2> \G
17	CONGND \G
18	VC-UP. VRA3<5> \G
19	VC-UP. VRA3<2> \G
20	NC
21	NC
22	NC
23	NC
24	NC
25	CONGND \G
26	NC
27	NC
28	NC
29	NC
30	NC
31	NC
32	NC

B	
01	AT-BP. SRC DAT<16>\G
02	AT-BP. SRC DAT<19>\G
03	AT-BP. SRC DAT<22>\G
04	BP-AT. DST DAT<15>\G
05	BP-AT. DST DAT<19>\G
06	BP-AT. DST DAT<21>\G
07	BP-AT. DST PAR<5>\G
08	AT-BP. SRC DAT<50>\G
09	AT-BP. SRC DAT<52>\G
10	AT-BP. SRC DAT<55>\G
11	NC
12	NC
13	NC
14	VC-UP. VRA2<7> \G
15	VC-UP. VRA2<4> \G
16	VC-UP. VRA2<1> \G
17	VC-UP. VRA3<7> \G
18	VC-UP. VRA3<4> \G
19	VC-UP. VRA3<1> \G
20	NC
21	NC
22	NC
23	NC
24	NC
25	NC
26	NC
27	NC
28	NC
29	NC
30	NC
31	NC
32	NC

C	
01	AT-BP. SRC DAT<17>\G
02	AT-BP. SRC DAT<20>\G
03	AT-BP. SRC DAT<23>\G
04	BP-AT. DST DAT<17>\G
05	CONGND \G
06	BP-AT. DST DAT<22>\G
07	AT-BP. SRC DAT<48>\G
08	AT-BP. SRC DAT<51>\G
09	AT-BP. SRC DAT<53>\G
10	AT-BP. SRC PAR<1>\G
11	NC
12	NC
13	CONGND \G
14	VC-UP. VRA2<6> \G
15	VC-UP. VRA2<3> \G
16	VC-UP. VRA2<0> \G
17	VC-UP. VRA3<6> \G
18	VC-UP. VRA3<3> \G
19	VC-UP. VRA3<0> \G
20	NC
21	CONGND \G
22	NC
23	NC
24	NC
25	NC
26	NC
27	NC
28	NC
29	CONGND \G
30	NC
31	NC
32	NC

VPU1 CONNECTOR P2

THIS DOCUMENT CONTAINS INFORMATION PROPRIETARY TO CONVEX COMPUTER CORPORATION (CONVEX). USE OR DISCLOSURE WITHOUT THE WRITTEN PERMISSION OF AN OFFICER OF CONVEX IS EXPRESSLY FORBIDDEN. COPYRIGHT (C) CONVEX 1984



CONVEX

TITLE: VPU1CON  
DRAWING: 410-000127-300 REV C. 8

ABBR: VPU1CONS  
ENGR: GRUGER

REVISED: Tue Sep 25 10:43:39 1984 PAGE: VPU.13

1P  
 300-41612-396  
 U188N7

A  
 01 CONGND \G  
 02 AT-BP. SRC DAT<10>\G  
 03 AT-BP. SRC DAT<13>\G  
 04 AT-BP. SRC PAR<6>\G  
 05 BP-AT. DST DAT<10>\G  
 06 BP-AT. DST DAT<12>\G  
 07 BP-AT. DST DAT<15>\G  
 08 AT-BP. SRC DAT<41>\G  
 09 CONGND \G  
 10 AT-BP. SRC DAT<46>\G  
 11 NC  
 12 NC  
 13 NC  
 14 NC  
 15 UC-VP. VDESTS1<1> \G  
 16 UC-VP. VDESTS2<0> \G  
 17 CONGND \G  
 18 UC-VP. HALF SEL<1> \G  
 19 UC-VP. WORD SEL<2> \G  
 20 UC-VP. ISRC<1> \G  
 21 UC-VP. VSRC1<0> \G  
 22 UC-VP. VSRC2<0> \G  
 23 UC-VP. VSRC4<1> \G  
 24 UC-VP. MSIS<1> \G  
 25 CONGND \G  
 26 UC-VP. MOPC<6> \G  
 27 UC-VP. MOPC<3> \G  
 28 UC-VP. MOPC<0> \G  
 29 UC-VP. AOPC<8> \G  
 30 UC-VP. AOPC<5> \G  
 31 UC-VP. AOPC<3> \G  
 32 UC-VP. AOPC<0> \G

B  
 01 AT-BP. SRC DAT<8>\G  
 02 AT-BP. SRC DAT<11>\G  
 03 AT-BP. SRC DAT<14>\G  
 04 BP-AT. DST DAT<8>\G  
 05 BP-AT. DST DAT<11>\G  
 06 BP-AT. DST DAT<13>\G  
 07 BP-AT. DST PAR<6>\G  
 08 AT-BP. SRC DAT<42>\G  
 09 AT-BP. SRC DAT<44>\G  
 10 AT-BP. SRC DAT<47>\G  
 11 NC  
 12 NC  
 13 NC  
 14 UC-VP. VDESTS0<1> \G  
 15 UC-VP. VDESTS1<0> \G  
 16 UC-VP. VDESTS3<1> \G  
 17 UC-VP. HALF SEL<3> \G  
 18 UC-VP. HALF SEL<0> \G  
 19 UC-VP. WORD SEL<1> \G  
 20 UC-VP. ISRC<0> \G  
 21 UC-VP. VSRC2<1> \G  
 22 UC-VP. VSRC3<1> \G  
 23 UC-VP. VSRC4<0> \G  
 24 UC-VP. MSIS<0> \G  
 25 UC-VP. ASIS<1> \G  
 26 UC-VP. MOPC<5> \G  
 27 UC-VP. MOPC<2> \G  
 28 UC-VP. AOPC<10> \G  
 29 UC-VP. AOPC<7> \G  
 30 UC-VP. AOPC<5> \G  
 31 UC-VP. AOPC<2> \G  
 32 UC-VP. MLDOP \G

C  
 01 AT-BP. SRC DAT<9>\G  
 02 AT-BP. SRC DAT<12>\G  
 03 AT-BP. SRC DAT<15>\G  
 04 BP-AT. DST DAT<9>\G  
 05 CONGND \G  
 06 BP-AT. DST DAT<14>\G  
 07 AT-BP. SRC DAT<40>\G  
 08 AT-BP. SRC DAT<43>\G  
 09 AT-BP. SRC DAT<45>\G  
 10 AT-BP. SRC PAR<2>\G  
 11 NC  
 12 NC  
 13 CONGND \G  
 14 UC-VP. VDESTS0<0> \G  
 15 UC-VP. VDESTS2<1> \G  
 16 UC-VP. VDESTS3<0> \G  
 17 UC-VP. HALF SEL<2> \G  
 18 UC-VP. WORD SEL<3> \G  
 19 UC-VP. WORD SEL<0> \G  
 20 UC-VP. VSRC1<1> \G  
 21 CONGND \G  
 22 UC-VP. VSRC3<0> \G  
 23 UC-VP. MSIS<2> \G  
 24 UC-VP. ASIS<2> \G  
 25 UC-VP. ASIS<0> \G  
 26 UC-VP. MOPC<4> \G  
 27 UC-VP. MOPC<1> \G  
 28 UC-VP. AOPC<9> \G  
 29 CONGND \G  
 30 UC-VP. AOPC<4> \G  
 31 UC-VP. AOPC<1> \G  
 32 UC-VP. ALDOP \G

VPU1 CONNECTOR P3

THIS DOCUMENT CONTAINS INFORMATION PROPRIETARY TO CONVEX COMPUTER CORPORATION (CONVEX). USE OR DISCLOSURE WITHOUT THE WRITTEN PERMISSION OF AN OFFICER OF CONVEX IS EXPRESSLY FORBIDDEN. COPYRIGHT (C) CONVEX 1984



TITLE:	VPU1CON	ABBR:	VPU1CONS
DRAWING:	410-020127-300 REV C.8	ENGR:	GRUGER
REVISED:	Tue Sep 25 10:45:08 1984	PAGE:	VPU. 14

1P  
300-41612-396  
U188T6

A  
01 CONGND \G  
02 AT-BP. SRC DAT<2>\G  
03 AT-BP. SRC DAT<5>\G  
04 AT-BP. SRC PAR<7>\G  
05 BP-AT. DST DAT<2>\G  
06 BP-AT. DST DAT<4>\G  
07 BP-AT. DST DAT<7>\G  
08 AT-BP. SRC DAT<33>\G  
09 CONGND \G  
10 AT-BP. SRC DAT<38>\G  
11 UC-UP. MSRL<3> \G  
12 UC-UP. MSRL<0> \G  
13 UC-UP. ASRL<1> \G  
14 UC-UP. MSROE<1> \G  
15 UC-UP. ASROE<0> \G  
16 UC-UP. MWAIT\* \G  
17 CONGND \G  
18 NC  
19 NC  
20 NC  
21 NC  
22 NC  
23 NC  
24 NC  
25 CONGND \G  
26 NC  
27 NC  
28 UC-UP. JSRC<1> \G  
29 NC  
30 NC  
31 UC-UP1. MSCALAR\* \G  
32 UC-UP1. VJ SRC SEL \G

B  
01 AT-BP. SRC DAT<0>\G  
02 AT-BP. SRC DAT<3>\G  
03 AT-BP. SRC DAT<6>\G  
04 BP-AT. DST DAT<0>\G  
05 BP-AT. DST DAT<3>\G  
06 BP-AT. DST DAT<5>\G  
07 BP-AT. DST PAR<7>\G  
08 AT-BP. SRC DAT<34>\G  
09 AT-BP. SRC DAT<36>\G  
10 AT-BP. SRC DAT<39>\G  
11 UC-UP. MSRL<2> \G  
12 UC-UP. ASRL<3> \G  
13 UC-UP. ASRL<0> \G  
14 UC-UP. MSROE<0> \G  
15 UC-UP. QSWAPM \G  
16 UC-UP. AWAIT\* \G  
17 NC  
18 NC  
19 NC  
20 NC  
21 UC-UP. ASRC SWAP \G  
22 NC  
23 NC  
24 NC  
25 NC  
26 NC  
27 UC-UP. MSRC SWAP \G  
28 UC-UP. JSRC<0> \G  
29 NC  
30 NC  
31 UC-UP1. ASCALAR\* \G  
32 NC

C  
01 AT-BP. SRC DAT<1>\G  
02 AT-BP. SRC DAT<4>\G  
03 AT-BP. SRC DAT<7>\G  
04 BP-AT. DST DAT<1>\G  
05 CONGND \G  
06 BP-AT. DST DAT<6>\G  
07 AT-BP. SRC DAT<32>\G  
08 AT-BP. SRC DAT<35>\G  
09 AT-BP. SRC DAT<37>\G  
10 AT-BP. SRC PAR<3>\G  
11 UC-UP. MSRL<1> \G  
12 UC-UP. ASRL<2> \G  
13 CONGND \G  
14 UC-UP. ASROE<1> \G  
15 UC-UP. QSWAPA \G  
16 UC-UP. OUTI REG EN \G  
17 UC-UP. DST BUS HOLD\* \G  
18 UC-UP. STINH \G  
19 UC-UP. STAS REQ \G  
20 UC-UP. AUMP CLAIM\* \G  
21 CONGND \G  
22 NC  
23 NC  
24 NC  
25 NC  
26 NC  
27 NC  
28 UC-UP. OUTJ REG EN \G  
29 CONGND \G  
30 AT-UC. LD&ST ACK\* \G  
31 AT-UC. STAT ACK\* \G  
32 AT-UC. STMEM ACK\* \G

UPL1 CONNECTOR P4

THIS DOCUMENT CONTAINS INFORMATION PROPRIETARY TO CONVEX COMPUTER CORPORATION (CONVEX). USE OR DISCLOSURE WITHOUT THE WRITTEN PERMISSION OF AN OFFICER OF CONVEX IS EXPRESSLY FORBIDDEN. COPYRIGHT (C) CONVEX 1984



CONVEX

TITLE:	UPL1CON	ABBR:	UPL1CON
DRAWING:	410-000127-300 REV <del>0, 2</del> 0, 3	ENGR:	GRUGER
REVISED:	Thu Jan 24 16:06:26 1985	PAGE:	UPL 15

1P  
300-41612-396  
U188YS

A	
01	CONVCC \G
02	CONVCC \G
03	CONVCC \G
04	CONGND \G
05	CONGND \G
06	CONGND \G
07	NC
08	NC
09	CONGND \G
10	NC
11	NC
12	NC
13	NC
14	NC
15	NC
16	NC
17	CONGND \G
18	NC
19	NC
20	NC
21	NC
22	NC
23	NC
24	NC
25	CONGND \G
26	NC
27	CONGND \G
28	CONGND \G
29	CONGND \G
30	CONVCC \G
31	CONVCC \G
32	CONVCC \G

B	
01	CONVCC \G
02	CONVCC \G
03	CONVCC \G
04	CONGND \G
05	CONGND \G
06	CONGND \G
07	IO-VP1.VPU120MHZ \G
08	IO-VP1.VPU1MPHASE \G
09	UC-VP.HLT DIS* \G
10	VP1-IO.VPU1ERR* \G
11	IO-VP1.VPU10DEN* \G
12	IO-BP.JPDMODE* \G
13	IO-BP.JPSCTL <0>* \G
14	IO-BP.JPSCTL <1>* \G
15	IO-BP.JPLDRAM* \G
16	IO-BP.JPCLEAR* \G
17	IO-BP.JPMSBDOUT* \G
18	IO-BP.JPLSBDOUT* \G
19	BP-BP.JPHALT* \G
20	NC
21	VP1-VC.AIU \G
22	UC-VP.MFU BYPASS \G
23	UC-VP.AFU BYPASS \G
24	UC-VP.MCTL HOLD \G
25	UC-VP.ACTL HOLD \G
26	UC-VP.SRC ACK \G
27	CONGND \G
28	CONGND \G
29	CONGND \G
30	CONVCC \G
31	CONVCC \G
32	CONVCC \G

C	
01	CONVCC \G
02	CONVCC \G
03	CONVCC \G
04	CONGND \G
05	CONGND \G
06	CONGND \G
07	UC-VP1.SRC GATE \G
08	UC-VP1.UW SRC SEL \G
09	UC-VP1.MLDA \G
10	UC-VP1.ALDA \G
11	UC-VP1.VRWRITE<3>* \G
12	UC-VP1.VRWRITE<2>* \G
13	CONGND \G
14	UC-VP1.VRWRITE<1>* \G
15	UC-VP1.VRWRITE<0>* \G
16	VP1-VC.DZ \G
17	VP1-VC.CT \G
18	VP1-VC.MIV \G
19	VP1-VC.UN \G
20	VP1-VC.OU \G
21	CONGND \G
22	VP1-VC.R0 \G
23	VP1-VC.OMDAVAIL \G
24	VP1-VC.QADAVAIL \G
25	VP1-VC.QBUSY* \G
26	NC
27	CONGND \G
28	CONGND \G
29	CONGND \G
30	CONVCC \G
31	CONVCC \G
32	CONVCC \G

VP1 CONNECTOR P5

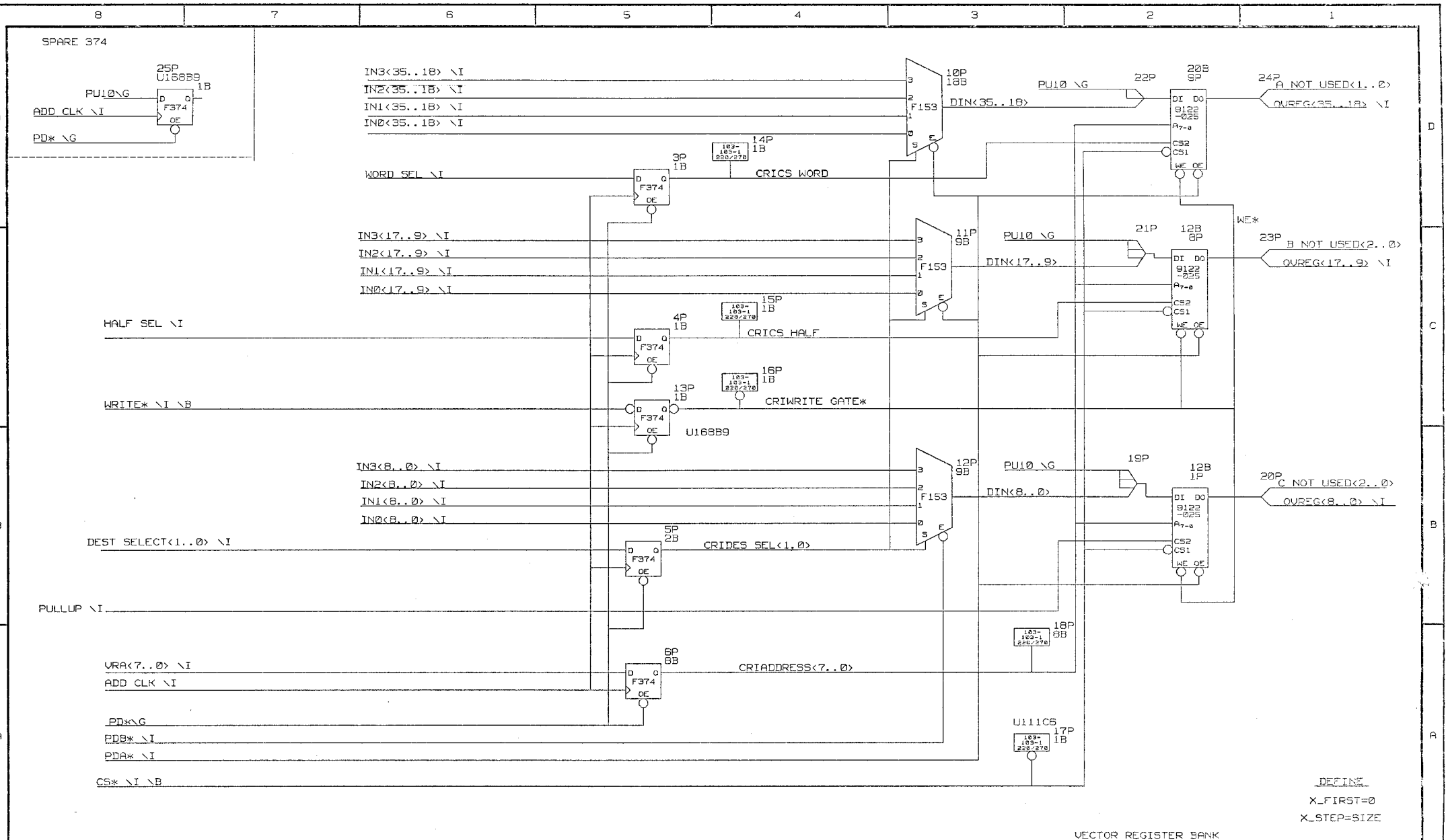
THIS DOCUMENT CONTAINS INFORMATION PROPRIETARY TO CONVEX COMPUTER CORPORATION (CONVEX). USE OR DISCLOSURE WITHOUT THE WRITTEN PERMISSION OF AN OFFICER OF CONVEX IS EXPRESSLY FORBIDDEN. COPYRIGHT (C) CONVEX 1984



CONVEX

TITLE:	VP1CON	ABBR:	VP1CON
DRAWING:	410-000127-300 REV C.B	ENGR:	GRUGER
REVISED: Fri Oct 5 13:28:15 1984	PAGE:	VP1.16	





THIS DOCUMENT CONTAINS INFORMATION PROPRIETARY TO CONVEX COMPUTER CORPORATION (CONVEX). USE OR DISCLOSURE WITHOUT THE WRITTEN PERMISSION OF AN OFFICER OF CONVEX IS EXPRESSLY FORBIDDEN. COPYRIGHT (C) CONVEX 1984

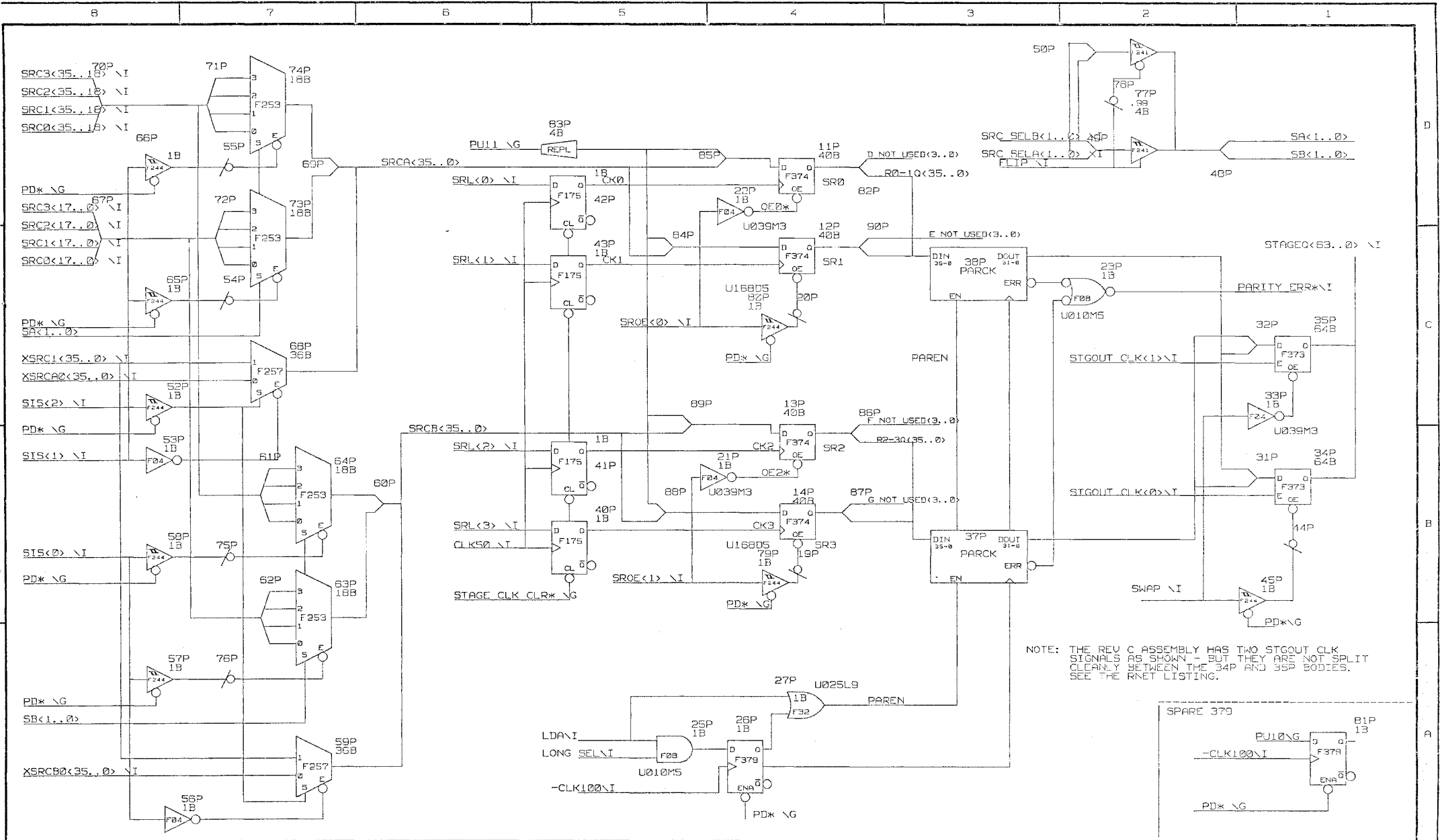


CONVEX

TITLE:	UREG	ABBR:	UREG
DRAWING:	410-000127-300 REV. 3	ENGR:	GRUGER
REVISED	Mon Jan 14 10:28:41 1985	PAGE:	UREG.1

VECTOR REGISTER BANK

DEFINE  
X\_FIRST=0  
X\_STEP=SIZE



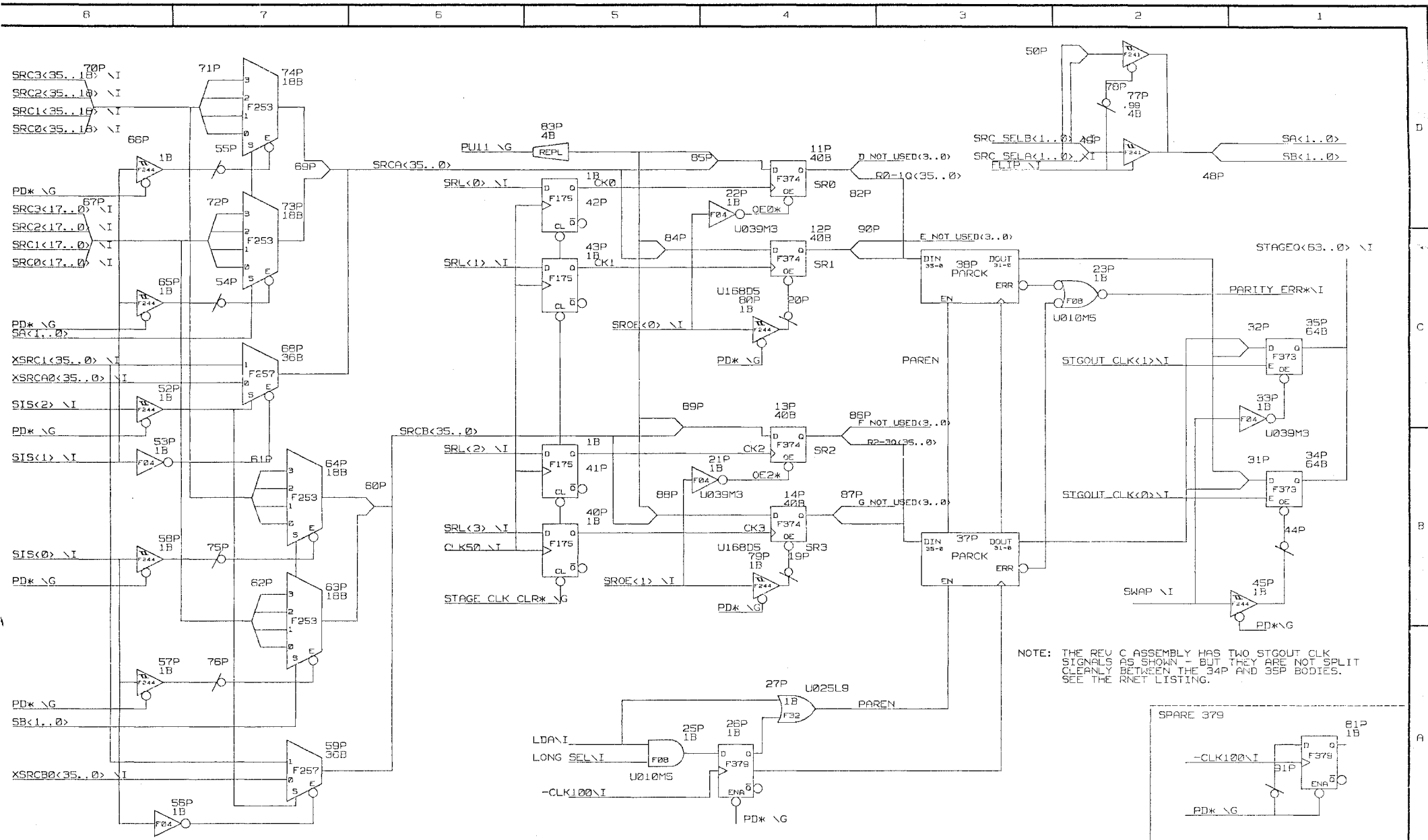
THIS DOCUMENT CONTAINS INFORMATION PROPRIETARY TO CONVEX COMPUTER CORPORATION (CONVEX). USE OR DISCLOSURE WITHOUT THE WRITTEN PERMISSION OF AN OFFICER OF CONVEX IS EXPRESSLY FORBIDDEN. COPYRIGHT (C) CONVEX 1984



CONVEX

REVISE  
X-FASTEN  
X-DATEPASTE

TITLE:	STAGE REGISTER CHAIN	ABBR:	STAGE
DRAWING:	410-000127-300 REV 0.3	ENGR:	GRUGER
REVISED:	Mon Jan 14 10:29:35 1985	PAGE:	STAGE.1

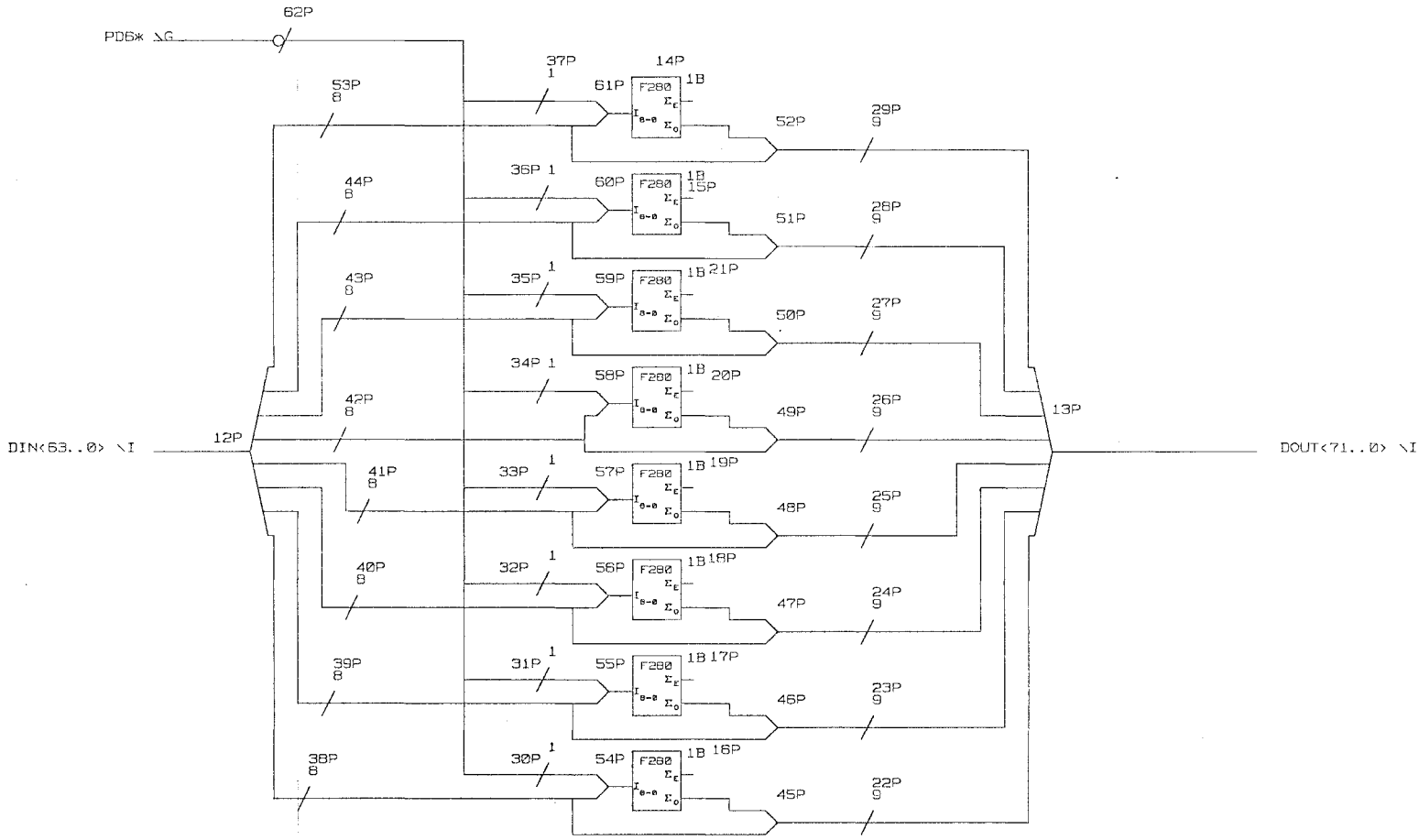


THIS DOCUMENT CONTAINS INFORMATION PROPRIETARY TO CONVEX COMPUTER CORPORATION (CONVEX). USE OR DISCLOSURE WITHOUT THE WRITTEN PERMISSION OF AN OFFICER OF CONVEX IS EXPRESSLY FORBIDDEN. COPYRIGHT (C) CONVEX 1984



CONVEX

DEFINITION: X271817-14 X-01P-014	TITLE: STAGE REGISTER CHAIN	ADDR: STAGE
	DRAWING: 410-002127-302 REV C.B	ENGR: GRUGER
REVISED: Mon Sep 24 15:55:04 1984	PAGE:	STAGE.2



DEFINE  
X\_FIRST=0  
X\_STEP=SIZE

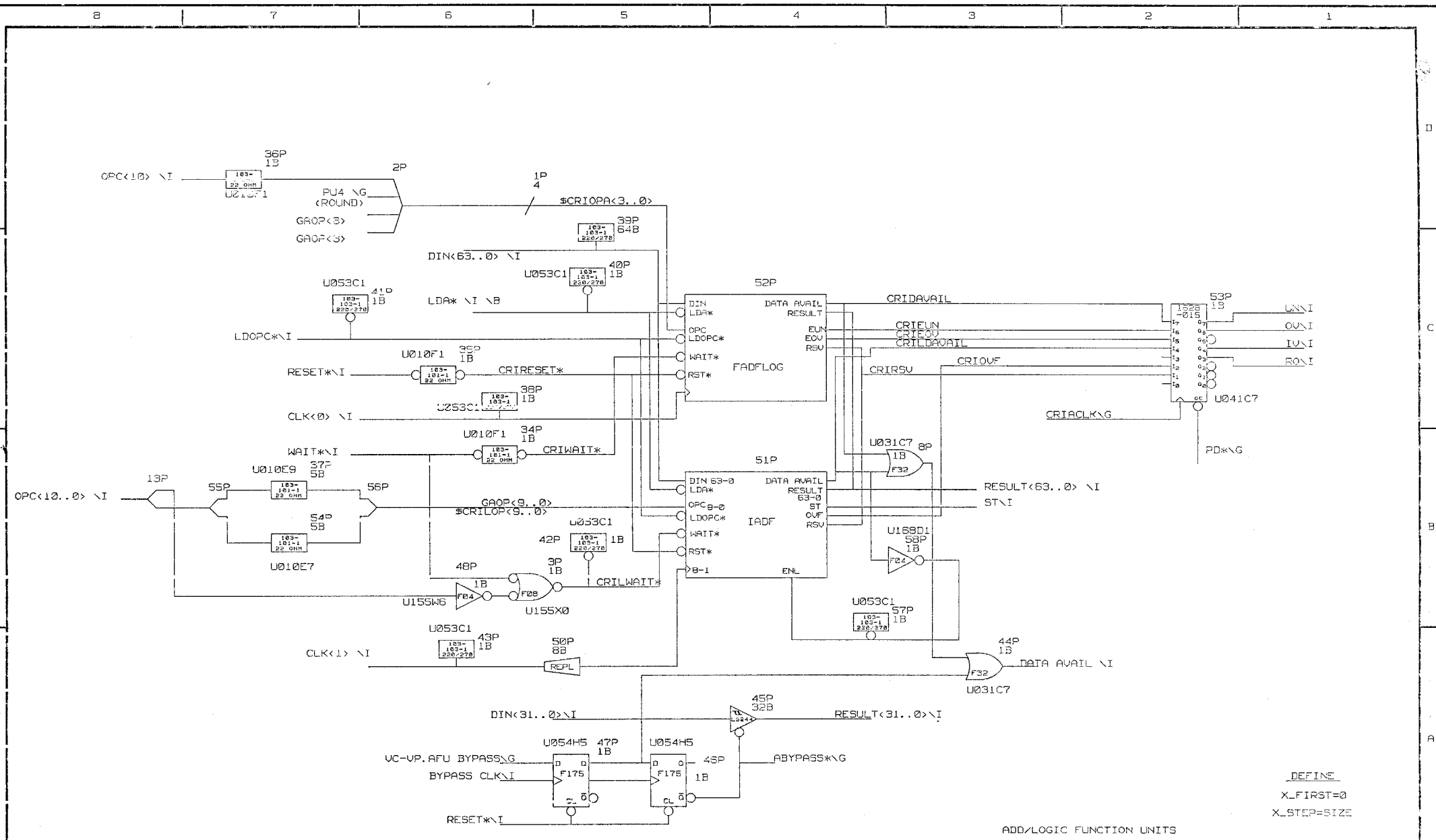
PARITY GENERATION LOGIC

THIS DOCUMENT CONTAINS INFORMATION PROPRIETARY TO CONVEX COMPUTER CORPORATION (CONVEX). USE OR DISCLOSURE WITHOUT THE WRITTEN PERMISSION OF AN OFFICER OF CONVEX IS EXPRESSLY FORBIDDEN. COPYRIGHT (C) CONVEX 1984



CONVEX

TITLE:	PARGEN	ABBR:	PARGEN
DRAWING:	410-000127-300 REV C.8	ENGR:	GRUGER
REVISED:	Tue Sep 25 09:26:02 1984	PAGE:	PARGEN. 1



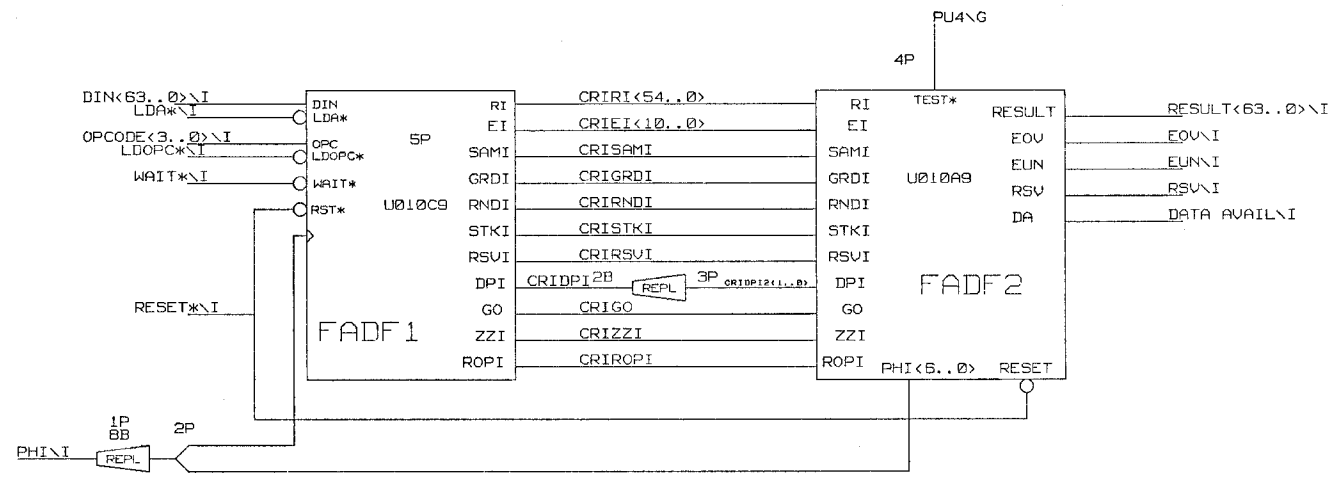
THIS DOCUMENT CONTAINS INFORMATION PROPRIETARY TO CONVEX COMPUTER CORPORATION (CONVEX). USE OR DISCLOSURE WITHOUT THE WRITTEN PERMISSION OF AN OFFICER OF CONVEX IS EXPRESSLY FORBIDDEN. COPYRIGHT (C) CONVEX 1984



TITLE:	ALLFU	ABBR:	ALLFU
DRAWING:	410-002127-300 REV 0.3	ENGR:	GRUGER
REVISED:	Tue Jan 15 12:04:21 1985	PAGE:	ALLFU.1

ADD/LOGIC FUNCTION UNITS

DEFINE  
X\_FIRST=0  
X\_STEP=SIZE

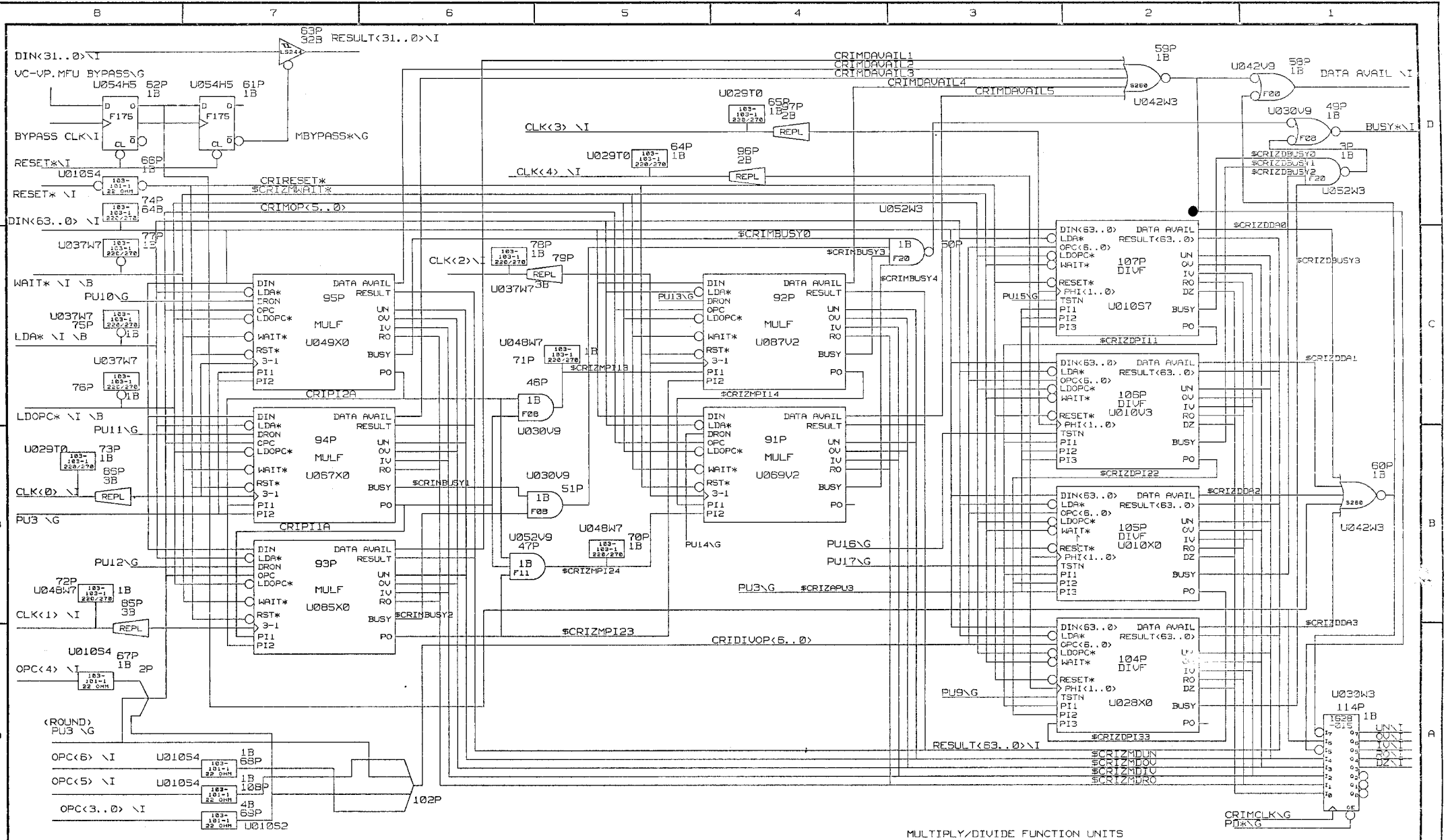


DEFINE  
X\_FIRST=0  
X\_STEP=SIZE

THIS DOCUMENT CONTAINS INFORMATION PROPRIETARY TO CONVEX COMPUTER CORPORATION (CONVEX). USE OR DISCLOSURE WITHOUT THE WRITTEN PERMISSION OF AN OFFICER OF CONVEX IS EXPRESSLY FORBIDDEN. COPYRIGHT (C) CONVEX 1984



TITLE:	FADFLOG	ABBR:	FADFLOG
DRAWING:	410-000127-300 REV C.8	ENGR:	GRUGER
REVISED:	Tue Sep 25 09:32:00 1984	PAGE:	FADFLOG.1



THIS DOCUMENT CONTAINS INFORMATION PROPRIETARY TO CONVEX COMPUTER CORPORATION (CONVEX). USE OR DISCLOSURE WITHOUT THE WRITTEN PERMISSION OF AN OFFICER OF CONVEX IS EXPRESSLY FORBIDDEN. COPYRIGHT (C) CONVEX 1984

DEFINE

X-STEP=02E

X-FIRST=0



CONVEX

MULTIPLY/DIVIDE FUNCTION UNITS

TITLE:	M_LDFU	ABBR:	M_LDFU
DRAWING:	410-000127-300 REV 0, 3	ENGR:	GRUGER
REVISED:	Mon Jan 14 10:45:28 1985	PAGE:	M_LDFU.1